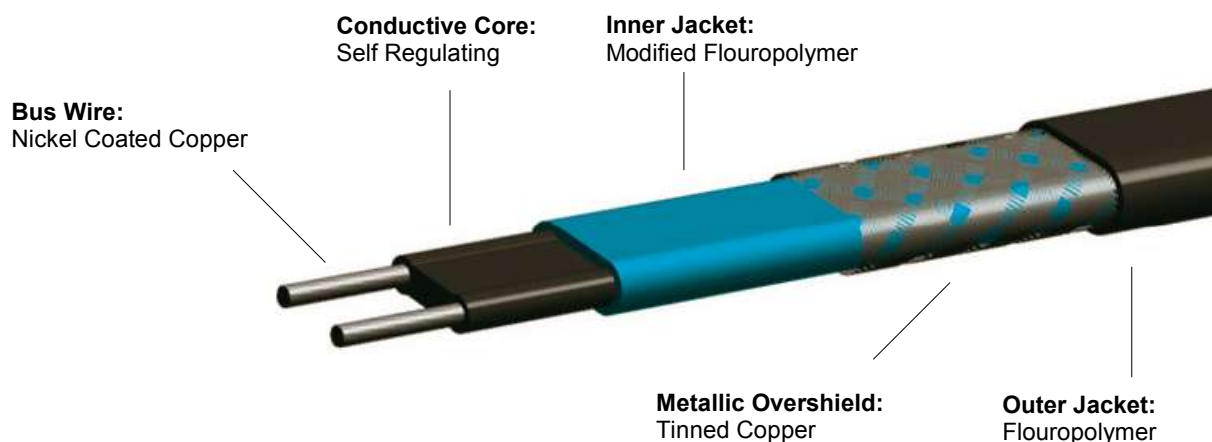


LSX Series

Self-Regulating Heating Cable



Application

The industrial grade LSX cables provide process temperature maintenance for fluid transport and storage systems requiring high levels of heat output. The cables can maintain temperatures up to 190°C (375°F) and will withstand intermittent temperature excursions to 230°C (450°F).

LSX series cables can be cut to length and terminated in the field, and will not overheat or burnout when overlapped.

Technical data

Output wattage:
16, 33, 49, 66, 82, 98 W/m at 10°C
3, through 30 W/ft at 50°F

Supply voltage:
240 V (other options are available on request)

Continuous maintenance temperature:
190°C (375°F) max

Intermittent exposure temperature:
230°C (450°F) max

T rating:
T4.. 16, 33, 49 W/m
T3.. 66, 82, 98 W/m

Dimension:
12x8 mm

Min. bending radius:
v/ 20°C 15 mm
v/-30°C 25 mm

Approvals:
ATEX, Factory Mutual, CSA, Semco

Products

Art. no.	Description	W/m
2005-21T00	Self-regulating heating cable LSX	16
2010-21T00	Self-regulating heating cable LSX	33
2015-21T00	Self-regulating heating cable LSX	49
2020-21T00	Self-regulating heating cable LSX	66
2025-21T00	Self-regulating heating cable LSX	82
2030-21T00	Self-regulating heating cable LSX	98

LSX Series

Self-Regulating Heating Cable



Maximum cable length (meter)

Temperature	Type	16 A	20 A	25 A	32 A
+10°C	LSX16	117	146	155	165
	LSX33	78	98	104	110
	LSX49	52	64	73	82
	LSX66	37	46	58	70
	LSX82	29	37	44	52
	LSX98	26	30	37	43
-40°C	LSX16	94	117	141	165
	LSX33	73	91	101	110
	LSX49	39	49	61	73
	LSX66	34	43	53	64
	LSX82	26	30	40	49
	LSX98	23	27	35	43

Accessories

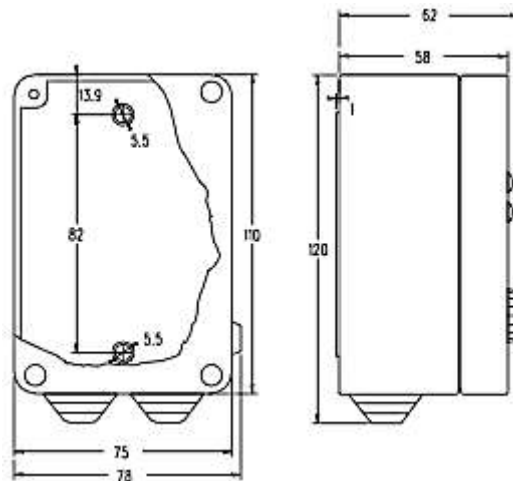
Art. no.	Description
615 022 016	Connection and end termination set
010 062 612	Cold leads, silicon insulated 3x1,5 mm ²
010 063 612	Cold leads, silicon insulated 3x2,5 mm ²
010 064 612	Cold leads, silicon insulated 3x4,0 mm ²
160 90	Thermostat controller, -15°C ... + 95°C, see next page for details
161 50	Thermostat controller, -15°C ... + 150°C, see next page for details

Visit Us at: www.hemiheating.com

LSX Series

Self-Regulating Heating Cable

HEMI HEATING
SURFACE HEATING SYSTEMS



Description

The 16000 series electronic thermostats are ideal for use together with heating cables. They come with a sensor and have a wide temperature range from -15°C to $+150^{\circ}\text{C}$.

The units are supplied with LED indicators for sensor fault and power output status (on/off).

Technical data

Supply voltage:
230 V

Max breaking current:
10A / 250V

Ambient temperature:
 -10°C ... $+55^{\circ}\text{C}$

Temperature difference:
adjustable 1-10K

Electrical life expectancy:
 1×10^5

Mechanical life expectancy:
 1×10^6